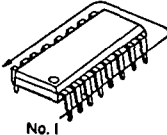
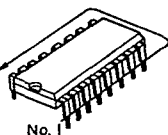
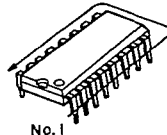
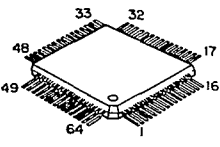
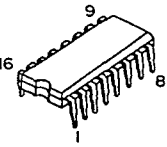
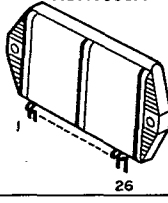
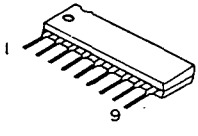
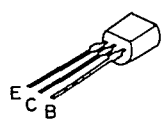
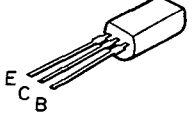
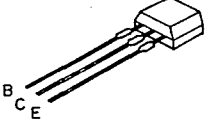
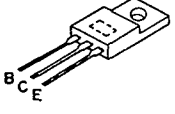

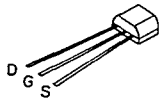
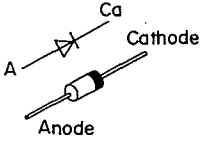
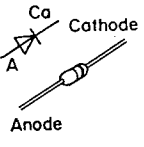
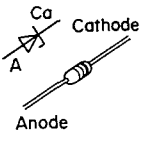
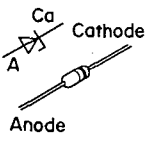
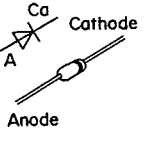
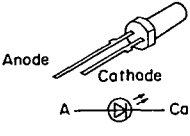
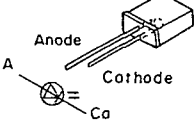


■ TERMINAL GUIDE OF IC'S, TRANSISTORS AND DIODES

 <table border="1" data-bbox="294 190 506 302"> <tr><td>M5218AP</td><td>8 Pin</td></tr> <tr><td>LA1832A</td><td>24 Pin</td></tr> <tr><td>LC7218</td><td>24 Pin</td></tr> <tr><td>LV1010N</td><td>24 Pin</td></tr> </table>		M5218AP	8 Pin	LA1832A	24 Pin	LC7218	24 Pin	LV1010N	24 Pin	 <table border="1" data-bbox="748 190 960 257"> <tr><td>AN6558F</td><td>8 Pin</td></tr> <tr><td>LA2785</td><td>42 Pin</td></tr> </table>		AN6558F	8 Pin	LA2785	42 Pin	 <table border="1" data-bbox="1202 190 1413 280"> <tr><td>UPC4570C</td><td>8 Pin</td></tr> <tr><td>MC14052BCP</td><td>16 Pin</td></tr> <tr><td>NJU7312AL</td><td>28 Pin</td></tr> </table>		UPC4570C	8 Pin	MC14052BCP	16 Pin	NJU7312AL	28 Pin
M5218AP	8 Pin																						
LA1832A	24 Pin																						
LC7218	24 Pin																						
LV1010N	24 Pin																						
AN6558F	8 Pin																						
LA2785	42 Pin																						
UPC4570C	8 Pin																						
MC14052BCP	16 Pin																						
NJU7312AL	28 Pin																						
M38122M4250F 	TC9214P 	RSN3306A 	BA6218 	2SB621AQSTA 	2SC3940AQSTA 																		
DTC114YSTP 	2SD2374PQAU 2SB1548PQAU 		2SA1309AIRTA 2SC2785FETA 2SC2787LTA 2SC3311AIRTA 2SC3311ARSTA 2SD1915FTA	UN411FTA UN4119TA UN421FTA UN4211AITA UN4213AITA UN4214AITA	2SJ40CDTA 																		
	P300DLF P300D5002T SB3606501T	1SS291TA 		MA4030MTA MA4039MTA MA4047MTA MA4051MTA MA4056MTA MA4062MTA	MA4068MTA MA4068LTA MA4075MTA																		
	MA4100MTA MA4150MTA MA4220MTA		MA165TA MA700ATA 1SR35200TB	LN41YCPHL 	LN846RPH 																		

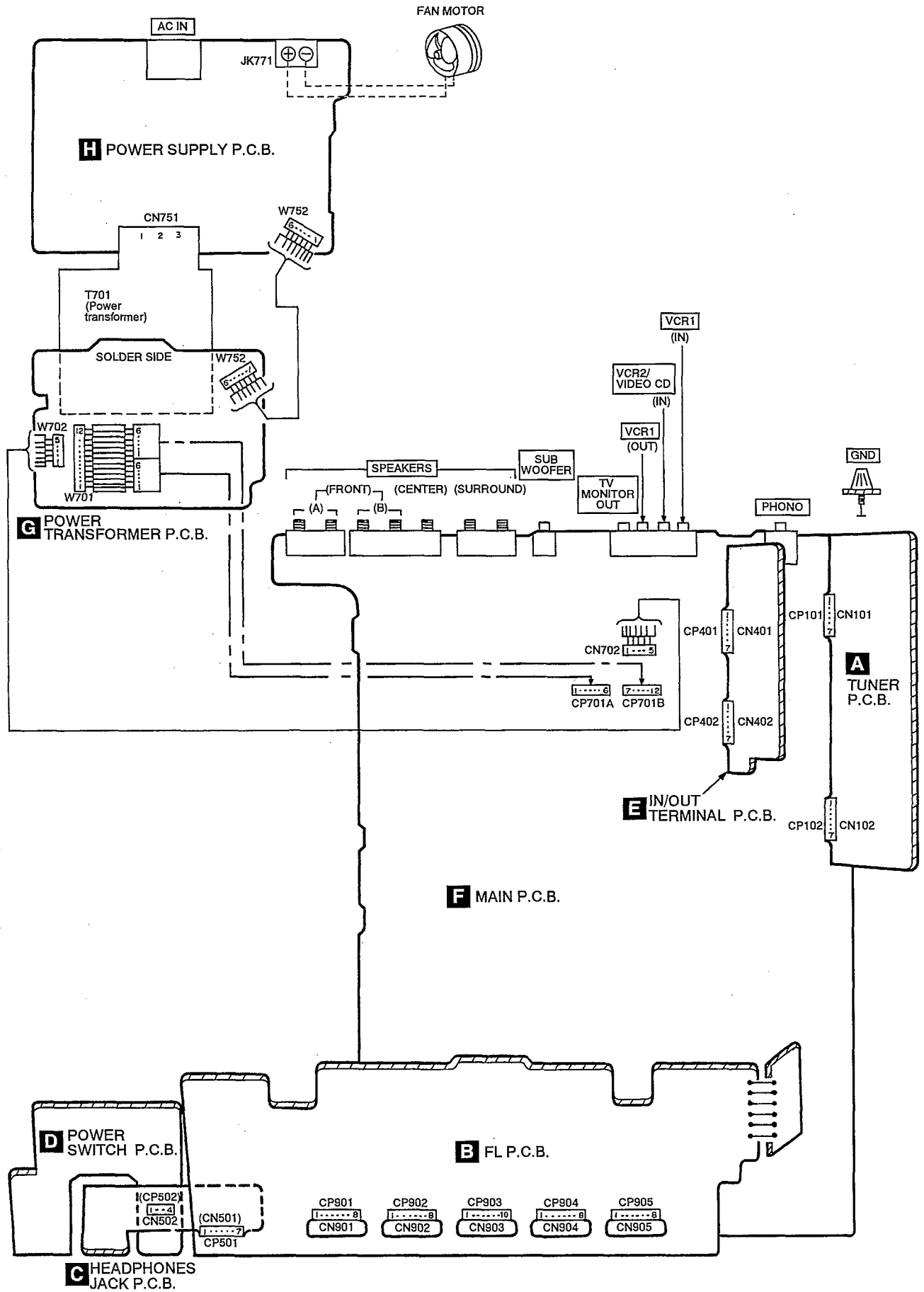
■ TERMINAL GUIDE

• IC901 (M38122M4250F): MICROCOMPUTER

Pin No.	Mark	I/O Division	Function
1	LOUDNESS	O	Loudness control terminal
2	FM_ST	I	Stereo signal detect terminal
3	SD	I	Received signal detect terminal
4	IF_DATA	I	Serial data signal
5	VIDEO_A	O	Video selector control terminal
6	VIDEO_B		
7	SFC_SW	—	Not used, open
8	SUR/ OSD_CK	O	Serial clock signal
9	SUR/ OSD_DT	O	Serial data signal
10	SUR_CE	O	Chip enable signal
11	OSD_ST	—	Not used, open
12	SEL/ TNR_DT	O	Serial data signal
13	SEL/ TNR_CK	O	Serial clock signal
14	TNR_CE	O	Chip enable signal
15	SEL_ST	O	Level shift control terminal
16	S13V_SIG /5-6	O	Not used, connected to capacitor
17	REM_IN	I	Remote control terminal
18	STANDBY	I	Power detect terminal
19	RESET	I	Reset detect terminal
20	OVERLOAD	I	Over load detect terminal
21	RELAY	O	Relay control terminal
22	Xin	I	Crystal oscillator terminal (6MHz)
23	Xout	O	

Pin No.	Mark	I/O Division	Function
24	Vss	—	GND terminal
25	L/R_LIMITER	O	Muting drive control
26	NC	—	Not used, connected to resistor
27	VOL_REV	O	Rotation control terminal of volume motor
28	VOL_FWD		
29 } 35	D1 } D7	O	Digit signal of FL display
36 } 48	Seg13 } Seg1	O	Segment signal of FL display
49	INIT_IN	I	Not used, connected to resistor
50	H_MUTE	—	Not used, connected to resistor
51	S/C_SP. Vd	O	Surround and speaker select control terminal
52	SP_B	O	Speaker select control terminal
53	SP_A		
54	AF_MUTE	O	Muting control terminal
55	STANDBY_ LED/VCR1	O	LED drive signal (STANDBY)
56	HELP_LED	O	LED drive signal (HELP)
57	Vcc	I	Power supply terminal
58	Vee	I	Power supply terminal
59	GND	—	GND terminal
60	Vref	I	Power supply terminal
61 } 64	KEY1 } KEY4	I	Key matrix detect terminal

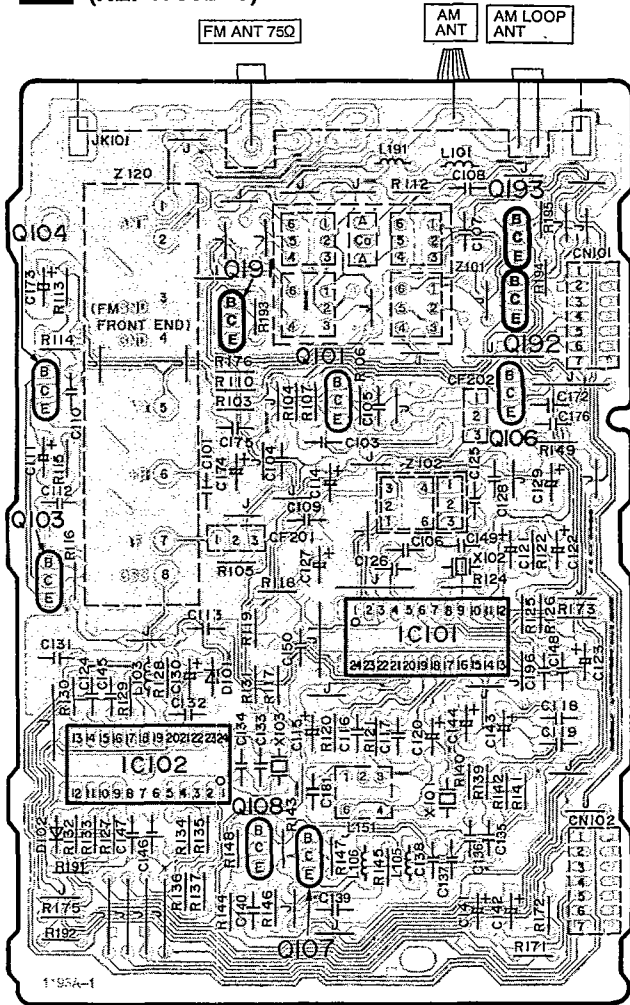
WIRING CONNECTION DIAGRAM



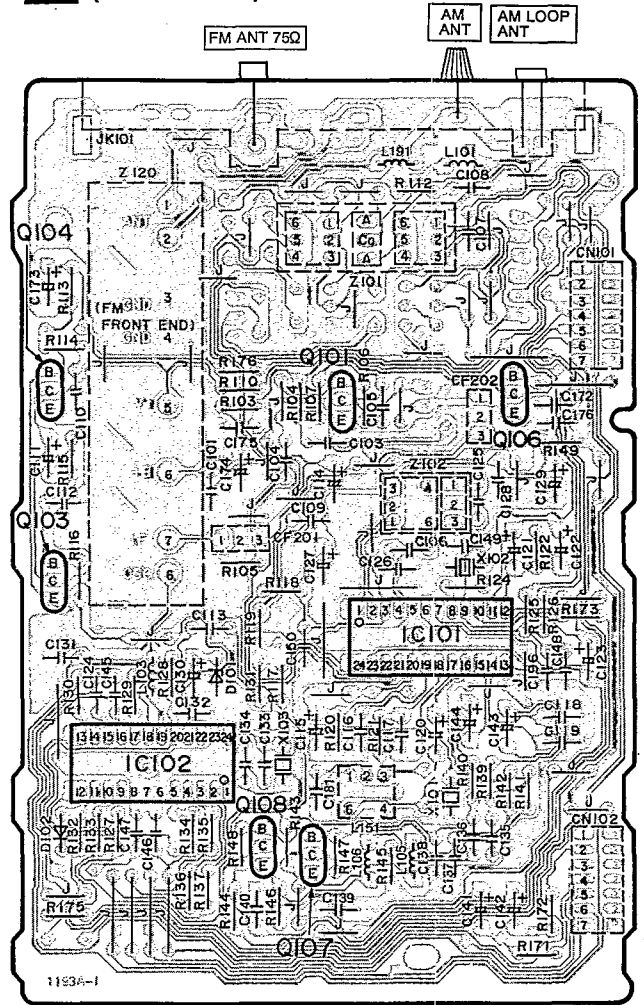
PRINTED CIRCUIT BOARDS

- This circuit board diagram may be modified at any time with the development of new technology.
- L1~L6, R1~R6, C1, C3, C4, C5, S1, S3, S4 and S5 in the circuit board diagram show the test points. For detail, please refer to p. 16~p. 19.

A TUNER P.C.B. For [E,EB] areas.
(REP1750B-T)



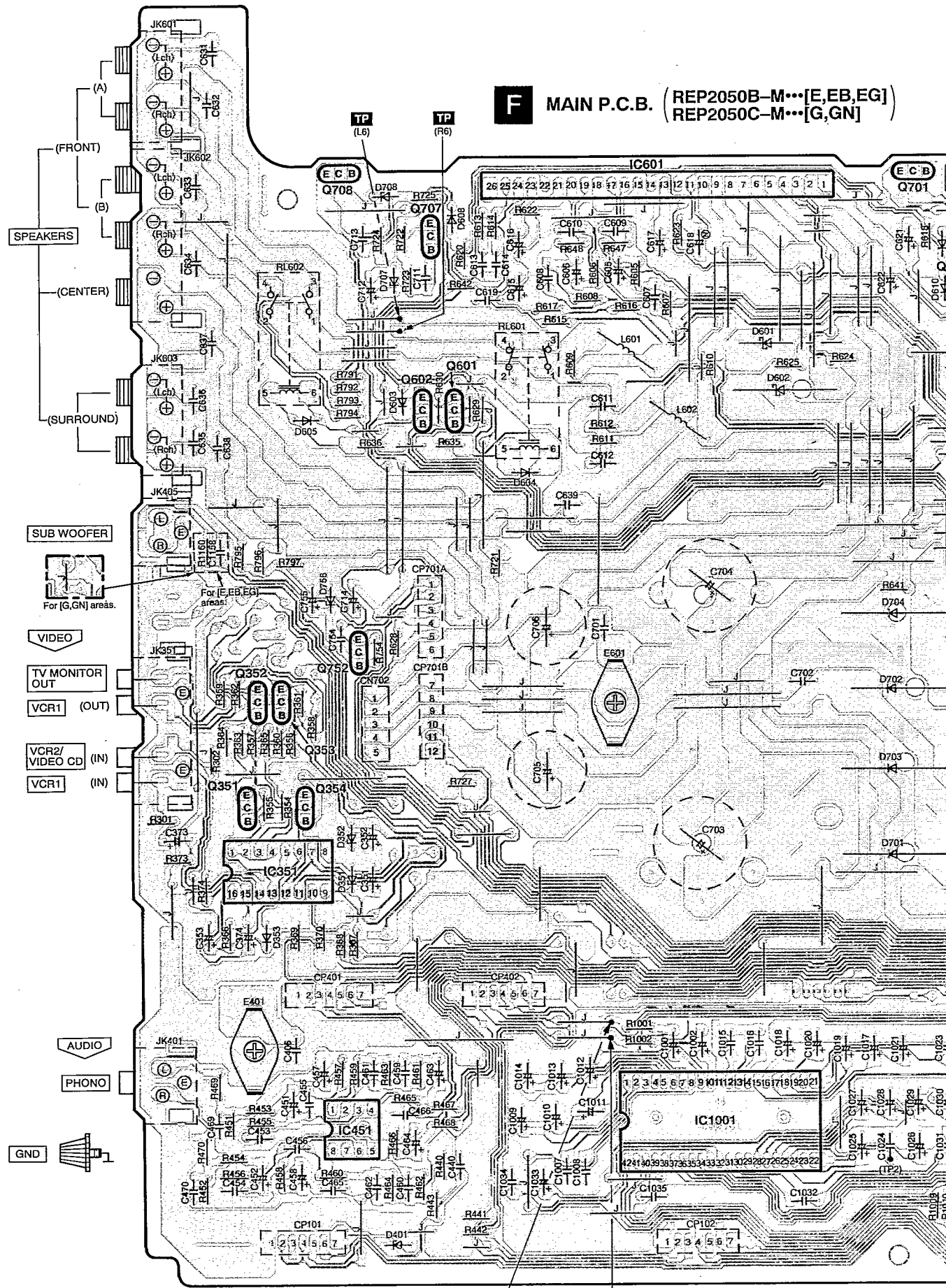
A TUNER P.C.B. For [EG,G,GN] areas.
(REP1750C-T)

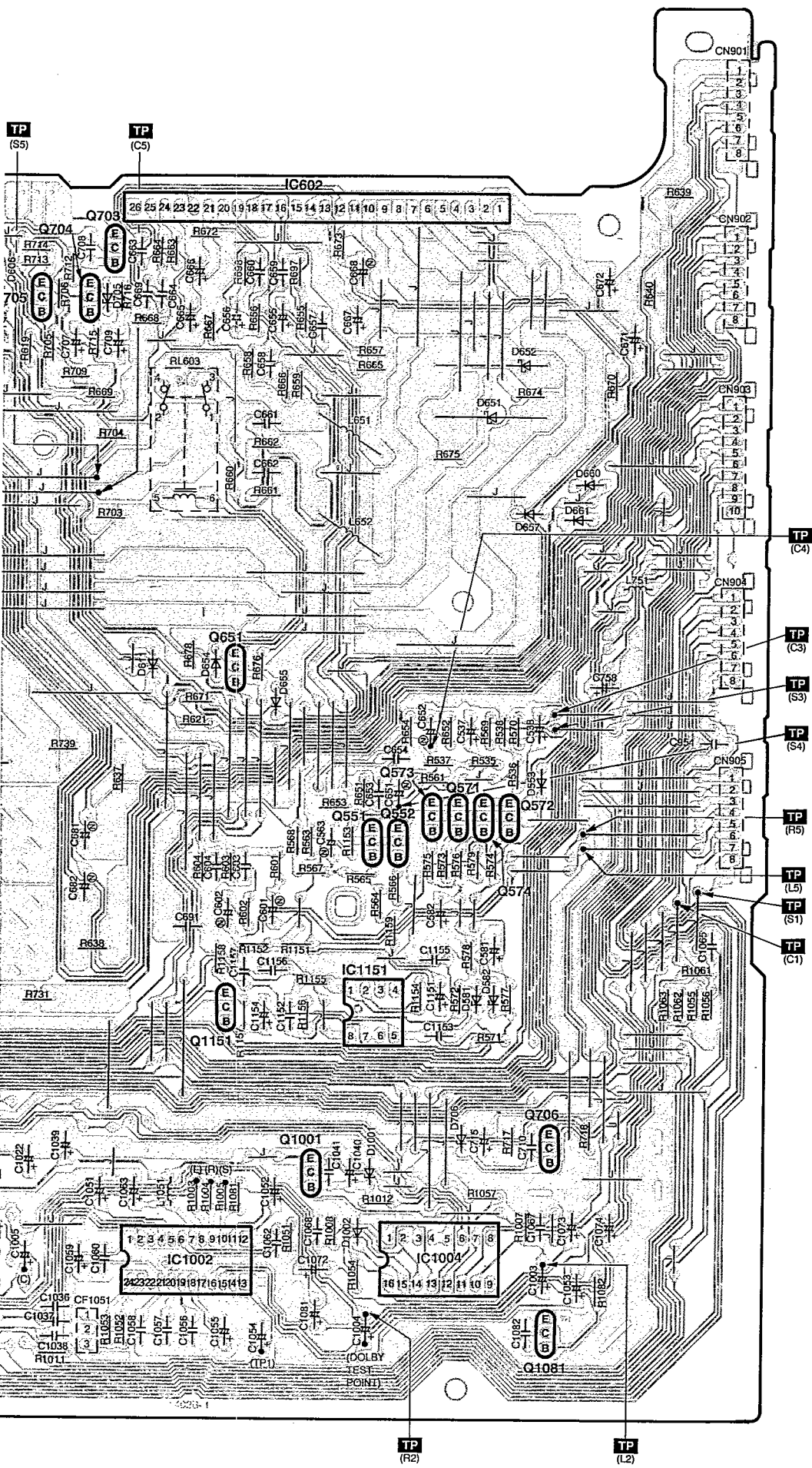


1 2 3 4 5

A
B
C
D
E
F
G

F MAIN P.C.B. (REP2050B-M...[E,EB,EG]
REP2050C-M...[G,GN])





TP (R2)

TP (L2)

1 2 3 4 5

A

B

C

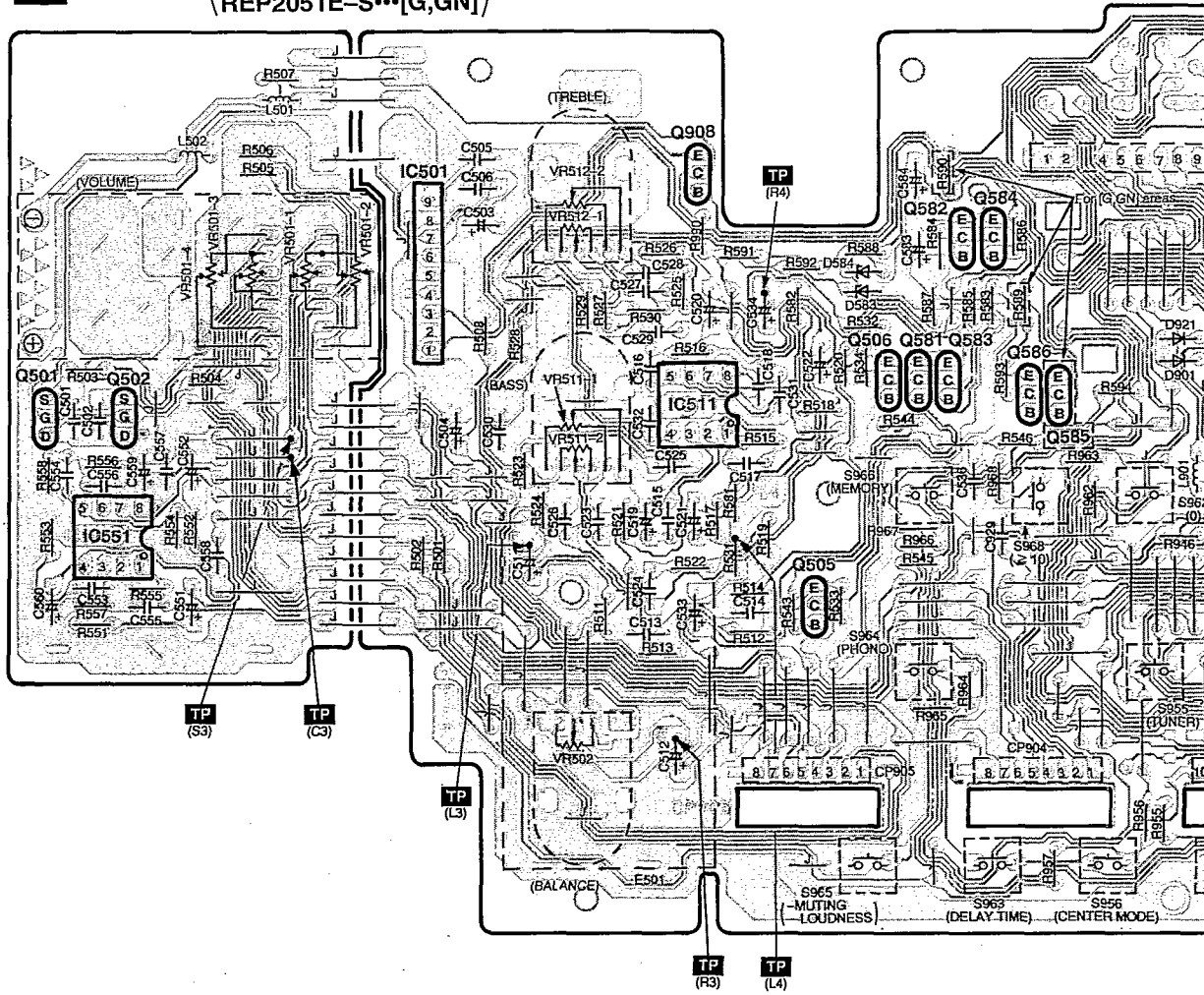
D

E

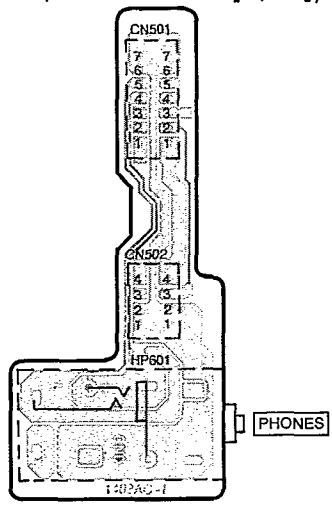
F

G

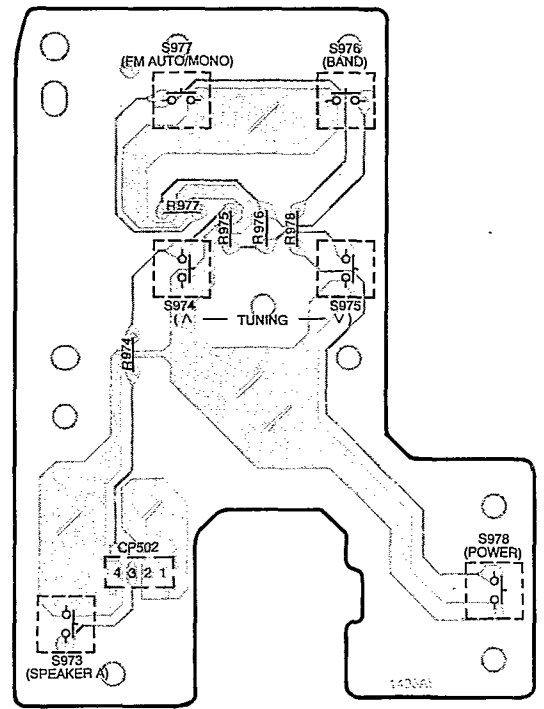
B FL P.C.B. (REP2051B-S...[E,EB]
REP2051C-S...[EG]
REP2051E-S...[G,GN])

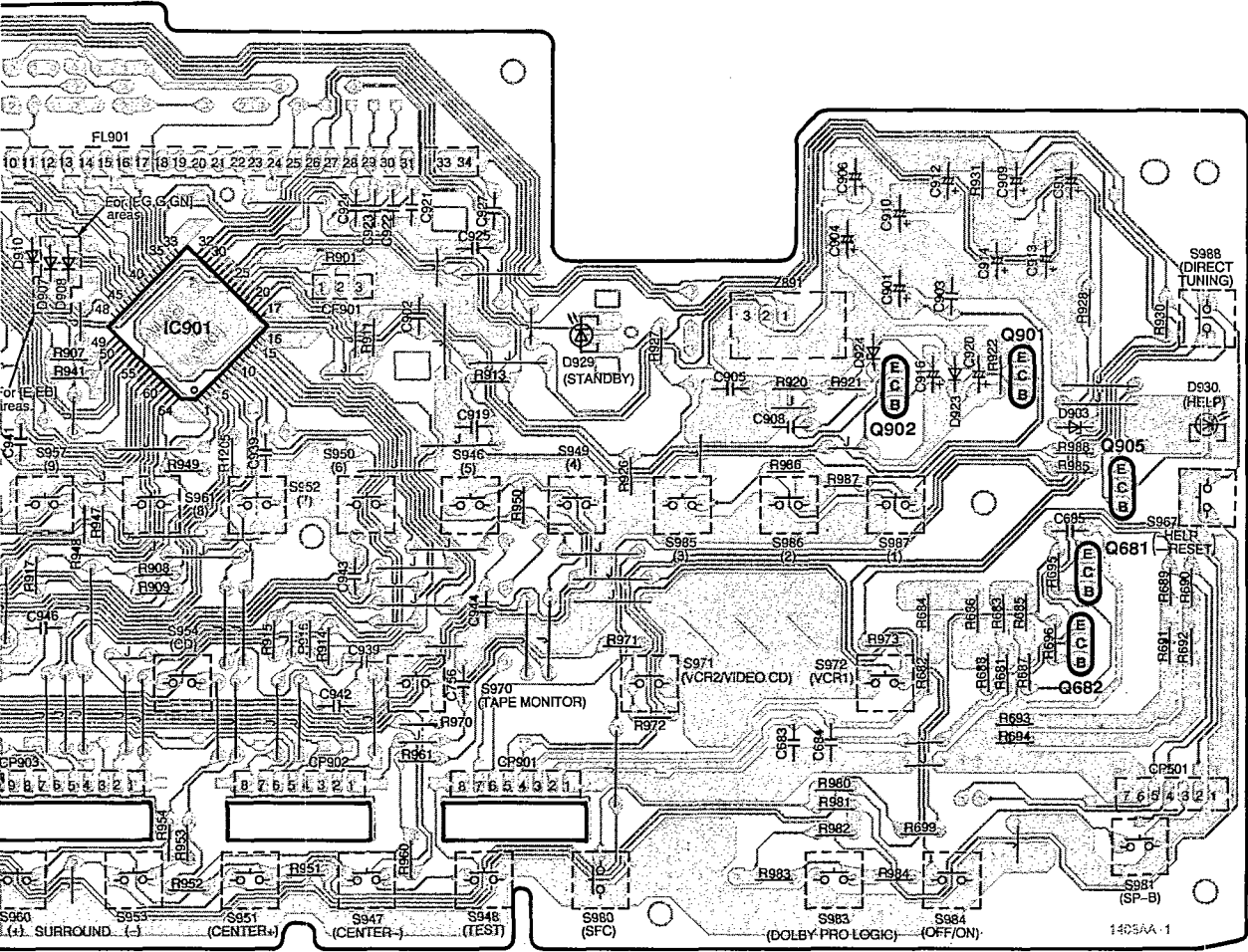


C HEADPHONES JACK P.C.B. (REP2051B-S...[E,EB]
REP2051C-S...[EG]
REP2051E-S...[G,GN])

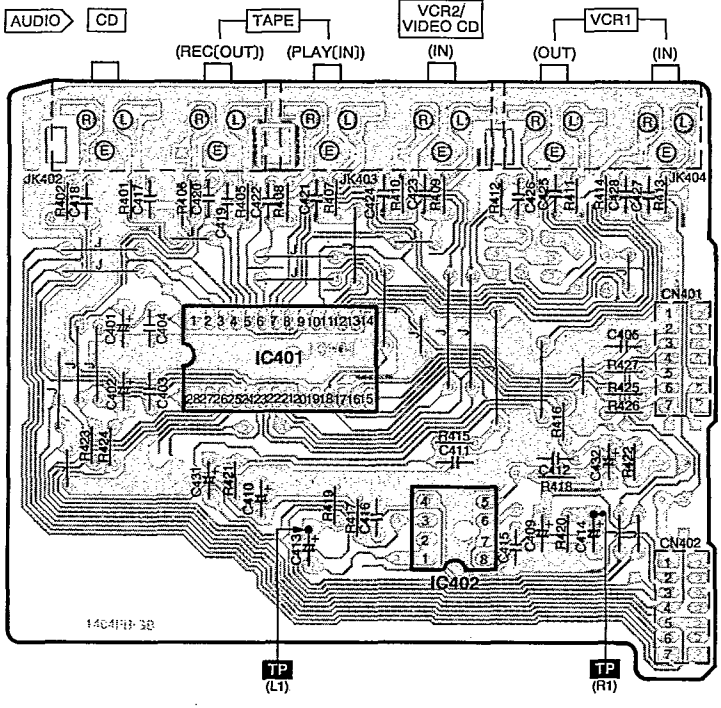


D POWER SWITCH P.C.B. (REP2051B-S...[E,EB]
REP2051C-S...[EG]
REP2051E-S...[G,GN])

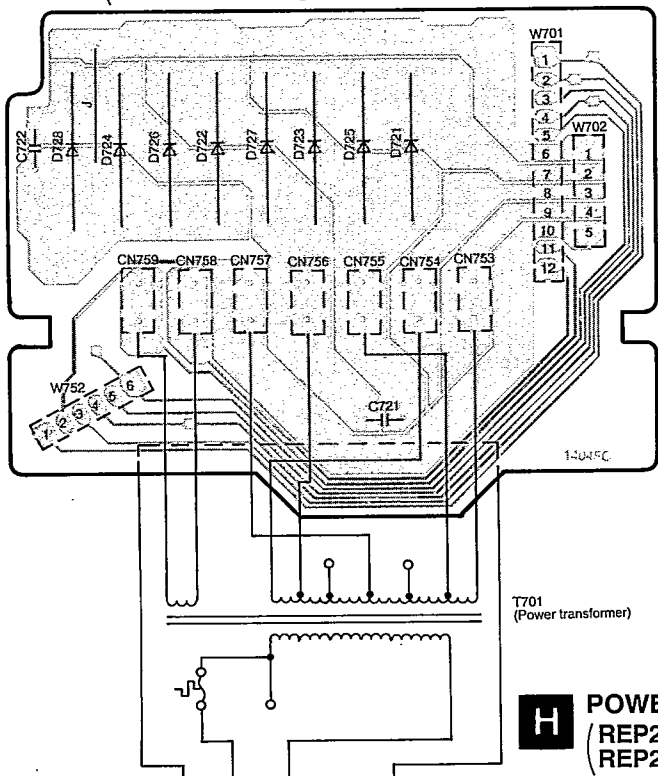




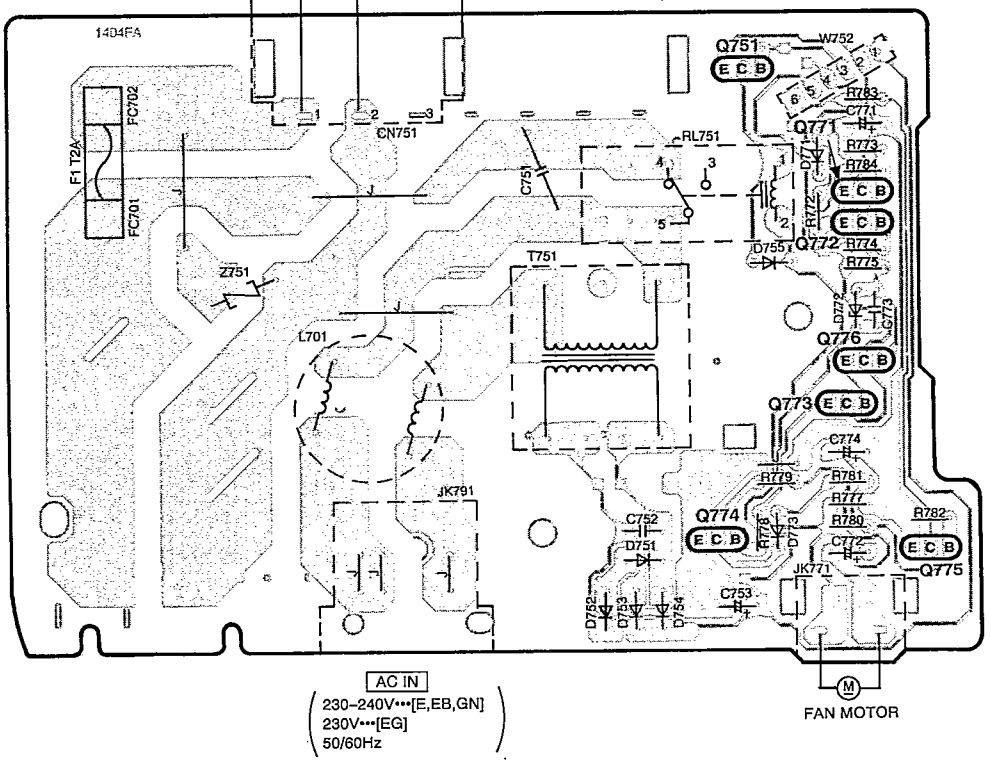
E IN/OUT TERMINAL P.C.B. (REP2052B-P...[E,EB,EG]
 REP2052D-P...[GN]
 REP2052E-P...[G])



G POWER TRANSFORMER P.C.B.
 (REP2052B-P...[E,EB,EG]
 REP2052D-P...[GN])

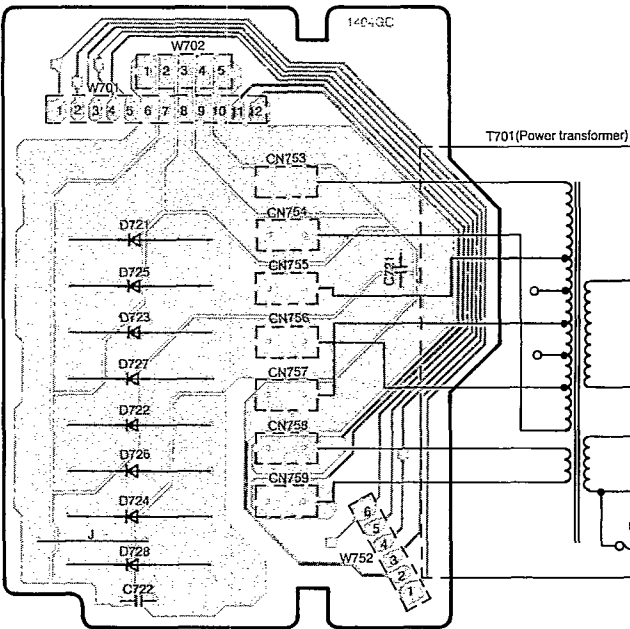


H POWER SUPPLY P.C.B.
 (REP2052B-P...[E,EB,EG]
 REP2052D-P...[GN])

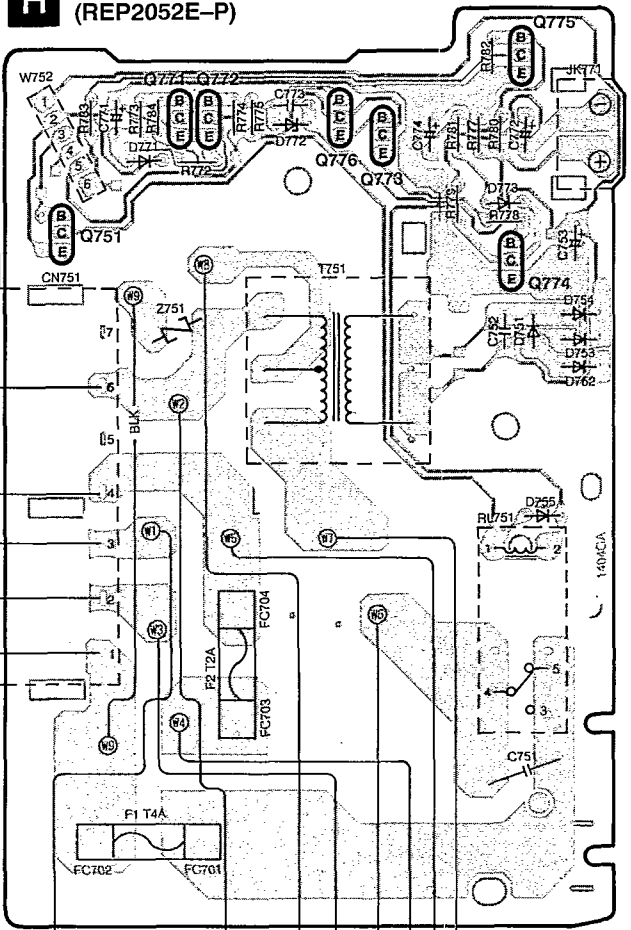


Power Source P.C.B. For[G] area.

G POWER TRANSFORMER P.C.B.
(REP2052E-P)



H POWER SUPPLY P.C.B.
(REP2052E-P)



AC IN
(110-127V/220-240V)
50/60Hz

I AC IN P.C.B.
(REP2052E-P)

